

Experience a refreshing spell with water so hygienic!



Sand filters

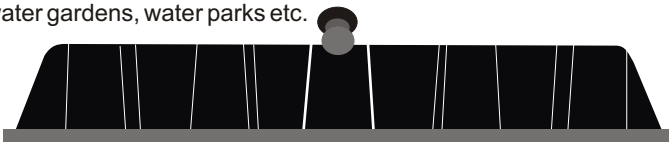
Proteam Fibreglass Filters :
Guaranteed
Quality and Reliability
for the life of your pool and spa.



Proteam Fibreglass Filters Sand filters

are the most popular cost-effective way to filter water in a swimming pool. They are easy to operate, effective and require very little maintenance. Pool water is routed through a sand-filled pressure vessel (the filter tank), where the sand traps large as well as small particles - even those that cannot be detected by the human eye! Over time, dirt accumulates in the space between the sand particles causing the pressure inside the vessel to rise as the water finds it harder to pass through. All Proteam Europa filters are supplied with pressure gauges, which will help users to see when pressure inside the tank rises and a "backwash" is required (this is a simple reversal of water flow to push out the accumulated dirt and it is carried out very simply by using the 6-way multiport valve).

Proteam sand filters are manufactured according to international quality standards using the latest pool filtration engineering technology, making them suitable for all types of weather conditions. The hi-tech design allows for improved flow capacity which results in better filtration and clear, pure water. The fibreglass bobbin-winding process, with additional UV protection, ensures that the filter tank is durable and resistant to the potentially-harmful action of pool chemicals and other corrosive agents. The innovative ring-lock lid design provides easy access to the internal components and makes maintenance simple and quick to carry out. These filters are available in a variety of different sizes and can be used for a wide range of applications. They are suitable for all types of pools (in-ground and above-ground) and spas, as well as for other water features such as fish ponds, fountains, water gardens, water parks etc.



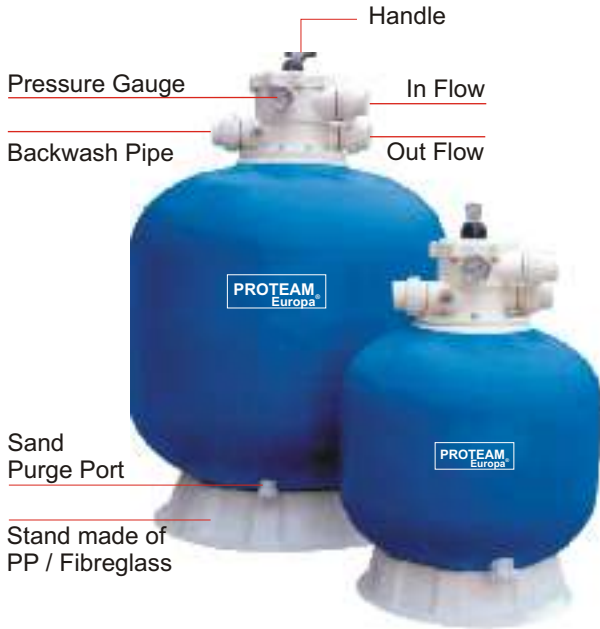
Standard construction features
(For all models)

- Manufactured from totally non-corrosive fibreglass and polyester resin - suitable for all weather conditions;
- Spherical tank with uniform thickness
- UV-resistant surface finish provides protection from harmful exposure to sunlight if required
- Internal surface of the tank is coated with water-resistant resin, providing complete impermeability and maximizing performance
- Top diffuser ensures even distribution of water over the sand bed
- Large pressure sand/water drain for rapid winterizing or servicing
- Specially-designed laterals/filter fingers with side slots to ensure that water is drawn evenly, resulting in maximized flow rates, improved filtration capacity and longer cycles
- The "**Parasol**" series filters have uniquely-designed "umbrella fold" laterals that make maintenance operations a lot easier
- All production is carried out with the latest high-tech machines in a controlled environment operated by means of a computerized system, to ensure that the quality and uniformity is achieved during all manufacturing phases
- All tanks fitted with oil pressure gauge, air release and manual water drain
- Suitable for saltwater applications
- The filters are available in horizontal and vertical designs

Proteam Top Mounted Sand Filters

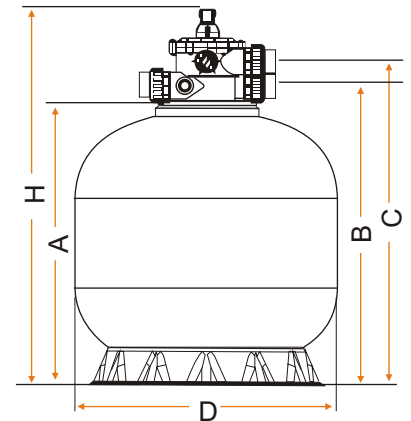
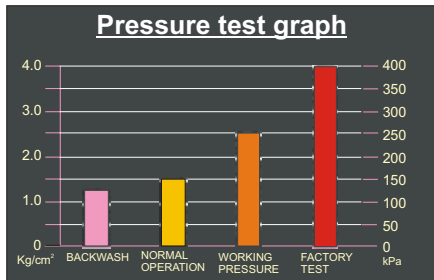
Ideally suited for residential type pools, fountains, spas or small aquariums/fish ponds.

Supplied with 6 way top mounted multiport valve



Multiport Valve Functions:

1. Filter : Normal filtration and vacuuming
2. Backwash : Cleaning filter by reversing water flow.
3. Rinse : Used after backwash to flush dirt from valve and pipes.
4. Waste : Filter by-pass option to discharge dirt from vacuuming to waste or to lower water level.
5. Recirculate : Filter by-pass option to circulate water back to pool directly.
6. Close : Stops all flow to filter or pool.



Model	Diameter D mm	Height H mm	A mm	B mm	C mm	connection size Ø inch	Filter area m²	Sand wt Kg	Flow rate m³/hr
06810400	400	720	482	535	594	1½"	0.11	60	7
06810450	450	790	552	605	664	1½"	0.14	70	8
06810500	533	830	592	645	704	1½"	0.20	90	12
06810650	635	950	712	765	824	1½"	0.30	170	16.5
06810700	710	1010	772	825	884	1½"	0.37	240	20.5
06810800	800	1220	985	1038	1097	2"	0.50	370	25
06810900	900	1340	1037	1102	1182	2"	0.64	445	30
06811000	1000	1400	1097	1162	1242	2"	0.79	700	33
06811100	1100	1500	1197	1262	1342	2"	0.98	960	38
06811200	1200	1600	1297	1362	1442	2"	1.13	1100	45
06811400	1400	1850	1547	1612	1692	2"	1.53	1300	61

Use only 0.4 to 0.8mm Silica Sand
Max. water temperature 43° C (109°F)

Proteam Side Mounted Sand Filters

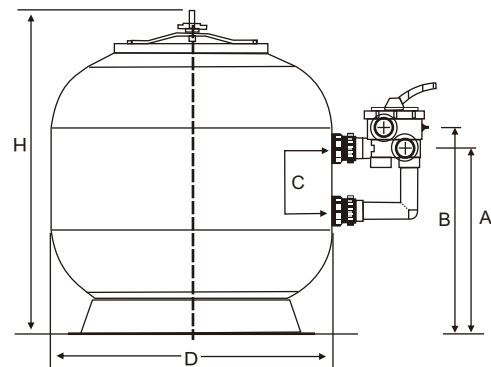
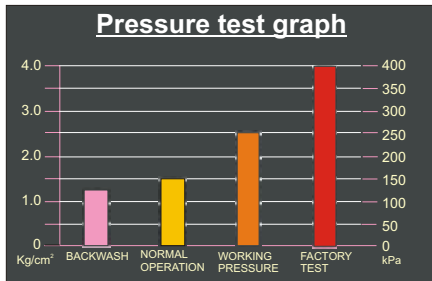


Ideally suited for residential type pools, fountains, spas and small aquariums/fish ponds.

Supplied with 6 way side mounted multiport valve

Multiport valve functions:

1. Filter : Normal filtration and vacuuming
2. Backwash : Cleaning filter by reversing water flow.
3. Rinse : Used after backwash to flush dirt from valve and pipes.
4. Waste : Filter by-pass option to discharge dirt from vacuuming to waste or to lower water level.
5. Recirculate : Filter by-pass option to circulate water back to pool directly.
6. Close : Stops all flow to filter or pool.



Model	Diameter D mm	A mm	B mm	C mm	Height H mm	connection size Ø inch	Filter area m ²	Sand wt Kg	Flow rate m ³ /hr
06820450	450	250	434	125	715	1½"	0.14	80	7
06820500	533	287	471	125	770	1½"	0.20	115	11
06820650	635	300	484	125	840	1½"	0.30	195	14.5
06820700	710	360	544	125	950	1½"	0.37	270	18.5
06820800	800	400	695	220	1055	2"	0.50	350	24.5
06820900	900	450	745	220	1145	2"	0.64	500	30
06821000	1000	500	795	220	1230	2"	0.79	750	36
06821100	1100	-	-	-	1330	2"	0.98	960	44
06821200	1200	-	-	-	1430	2"	1.13	1100	51

Use only 0.4 to 0.8mm Silica Sand
Max. Water temperature 43° C (109°F)

Proteam Commercial Application Filters

Proteam's commercial range of filters has been developed to meet the most demanding installation for the largest of projects Olympic and semi-Olympic competition pools, hotels and large residential pools, as well as for other water features such as fish ponds, lakes, fountains, water gardens, water parks etc.



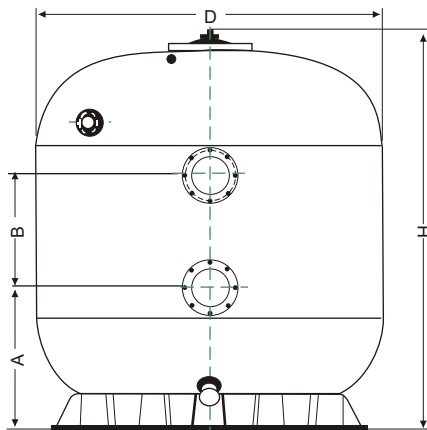
The filters have flanged connection varying from 3" to 8" (depending on filter flow rate) for connection to a battery of 5 butterfly valves.

For ozone applications, the filters can be lined with vinyl ester at extra cost on customer request.

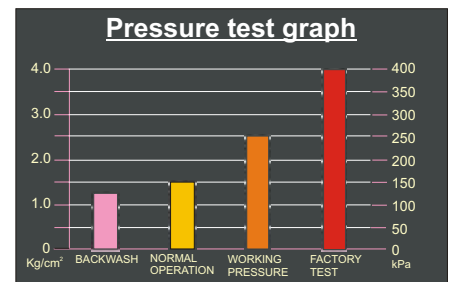
Filters with 4 and 6 bar working pressure can be manufactured on request.

Manhole and sight glass can be provided at extra cost on customer request.

Can be supplied with nozzle plate distributor on request.



Option of nozzle plate distribution system available on request

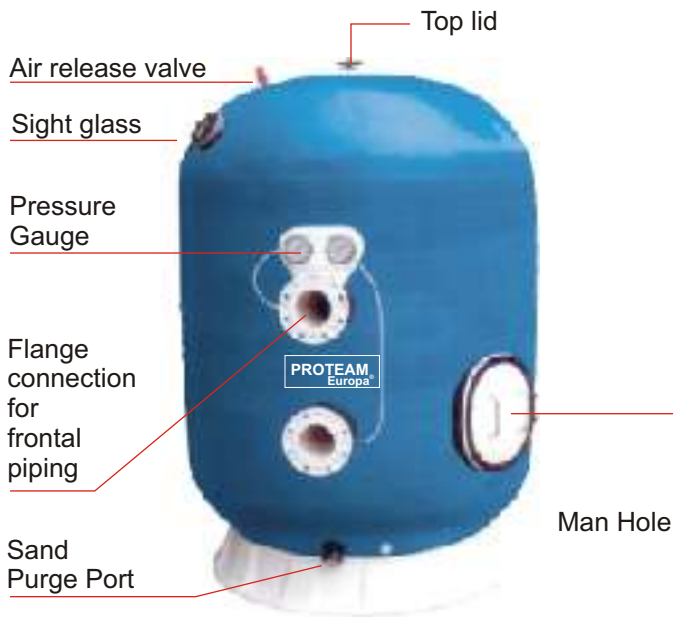


Model	Diameter Ømm (D)	Height mm (H)	A mm	B mm	Flange size Ømm D/DN	Filter area m ²	Sand wt. Kg	Gravel wt. Kg	Flow rate m ³ /h * / **
06831200	1200	1400	720	550	D90/80	1.13	1600	100	34/51
06831400	1400	1600	720	550	D110/100	1.54	2300	150	46/69
06831600	1600	1750	800	630	D110/100	2.01	3100	150	60/80
06831800	1800	1950	850	670	D160/150	2.54	3800	200	76/102
06832000	2000	2150	900	720	D160/150	3.14	4900	900	94/126
06832350	2350	2400	1100	950	D225/200	4.34	7700	1700	130/173
06832500	2500	2550	1100	1050	D225/200	4.91	8050	2500	147/196

Sand granulometry 0.4 to 0.8 mm
Gravel granulometry 1 to 2 mm
(Sand approx. 70 to 75% gravel approx 25-30%)

*Flow rate is calculated at a specific velocity of 30m³/hr/m²
**Flow rate is calculated at a specific velocity of 40 m³/hr/m²
Max. Water temperature 43° C (109°F)

Proteam High Performance Commercial Application Filter

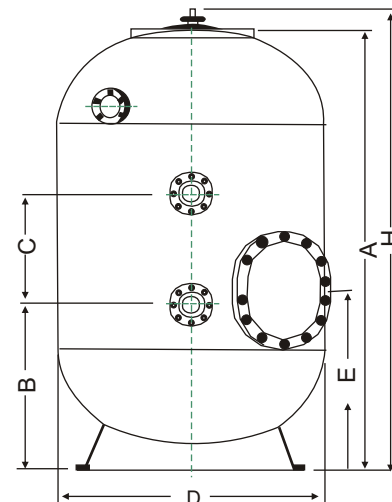
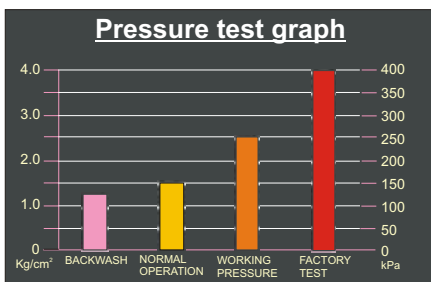


Proteam's High Performance Filter with additional media depth of 1.2m ensures better water clarity than a filter with lesser bed depth. This filter is ideally suited for water treatment for domestic and industrial purposes, aquariums and swimming pools or water bodies where water clarity is of utmost importance.

- ⇒ Sight glass and manhole enhances operational and maintenance functionality and can be added at extra cost on request.
- ⇒ For ozone applications, the filters can be lined with vinylester at extra cost on customer request.
- ⇒ Filters with 4 and 6 bar working pressure can be manufactured on request.



Option of nozzle plate distribution system available on request



Model	Diameter Ømm(D)	Height mm(H)	A mm	B mm	C mm	E mm	Connection Ømm	Filter area m ²	Sand wt Kg	Flow rate m ³ /hr
0681532	800	1600	1500	550	220	700	D 63	0.50	610	18
0681536	900	1600	1500	550	220	700	D 63	0.64	635	23
0681540	1000	1600	1500	550	220	700	D 63	0.79	945	28
0681548	1200	1600	1500	750	500	855	D 90	1.13	1380	40
0682032	800	2100	2000	550	220	700	D 63	0.50	900	18
0682036	900	2100	2000	550	220	700	D 63	0.64	1300	23
0682040	1000	2100	2000	550	220	700	D 63	0.79	1600	28
0682048	1200	2100	2000	750	500	855	D 90	1.13	2000	40

Sand granulometry 0.4 to 0.8 mm
Gravel granulometry 1 to 2 mm
(Sand approx. 80 to 85% gravel approx. 15-20%)

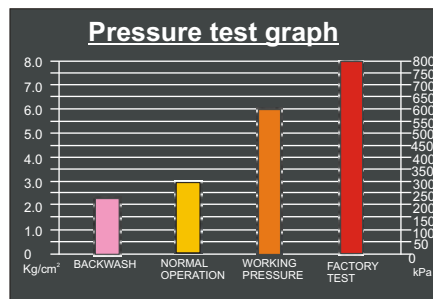
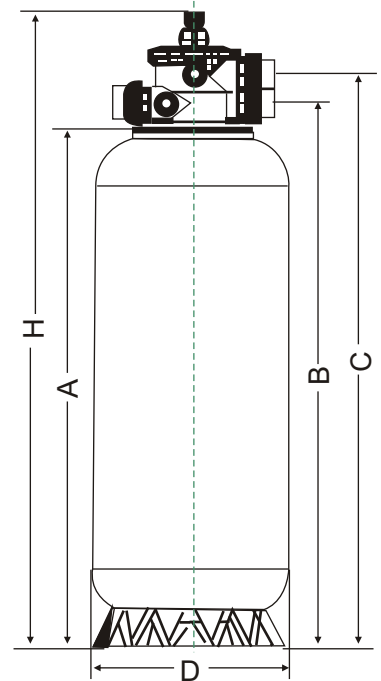
Manhole size 380mm x 485 mm

Max. Water temperature 50° C (122°F)

Proteam Deep Bed Sand Filter



Proteam's deep bed sand filter is ideally suited for industrial and residential water treatment applications that require use of high pressure pumps.



Model	Diameter mm(D)	Height mm(H)	A mm	B mm	C mm	Pipe size Ømm	Filter area m ²	Sand wt Kg	Flow rate m ³ /hr
06813400	410	1300	1602	1115	1174	50	0.13	112	4.5
06813450	460	1300	1602	1115	1174	50	0.16	143	6
06813500	510	1300	1602	1115	1174	50	0.20	172	7
06813600	610	1300	1602	1115	1174	50	0.28	230	10
06813700	710	1300	1000	1115	1145	50	0.38	325	13
06815400	410	1500	1262	1315	1374	50	0.13	141	4
06815450	460	1500	1262	1315	1374	50	0.16	165	5
06815500	510	1500	1262	1315	1374	50	0.20	220	6
06815600	610	1500	1262	1315	1374	50	0.28	307	8.5
06815700	710	1500	1200	1315	1145	50	0.38	430	13

Sand granulometry 0.4 to 0.8 mm
(Sand approx. 80 to 85% gravel approx. 15-20% Max. Water temperature 50° C (122°F))

Proteam Top Mounted Sand Filter



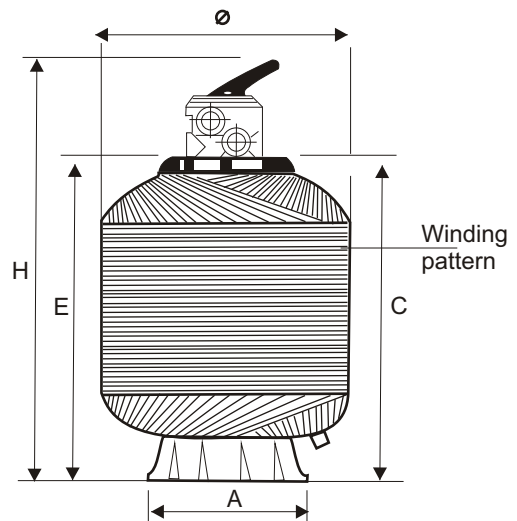
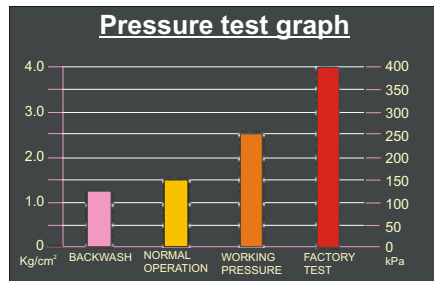
Ideally suited for residential type pools, fountains, spas and small aquariums/fish ponds.

The “*Parasol*” series have uniquely designed “Umbrella Fold” laterals that make installation and maintenance operations a lot easier.

Supplied with 6 way top mounted multiport valve

Multiport valve functions:

1. Filter : Normal filtration and vacuuming.
2. Backwash : Cleaning filter by reversing water flow.
3. Rinse : Used after backwash to flush dirt from valve and pipes.
4. Waste : Filter by-pass option to discharge dirt from vacuuming to waste or to lower water level.
5. Recirculate : Filter by-pass option to circulate water back to pool directly.
6. Close : Stops all flow to filter or pool.



TECHNICAL DATA FOR TOP MOUNTED FIBREGLASS FILTER

Model	Diameter mm(Ø)	Connection inches	Flow m³/h	Surface Area m²	Sand Weight kg	Working Pressure kg/cm²	H mm	A mm	C mm	E mm
00500018	400	1½"	6	0.126	70	2.5	730	370	555	555
00500019	450	1½"	8	0.159	80	2.5	815	370	640	640
00500020	500	1½"	10	0.196	100	2.5	886	460	710	710
00500021	600	1½"	14	0.283	180	2.5	975	460	800	800
00500022	750	2"	22	0.442	300	2.5	1150	590	934	934
00500023	900	2"	28	0.636	460	2.5	1300	790	1084	1084
00500024	1000	2"	30	0.785	700	2.5	1380	945	1164	1164
00500025	1200	2"	35	1.131	1100	2.5	1580	1010	1364	1364

Flow rates are calculated at a velocity of 50m³/hr/m² for dia 400 mm to 900 mm and at 30m³/hr/m² for 1000mm and 1200 mm dia filters
 ■ Use only 0.4 to 0.8mm silica sand. ■ Max. Water temperature 43° C (109°F)

Proteam Side Mounted Sand Filters



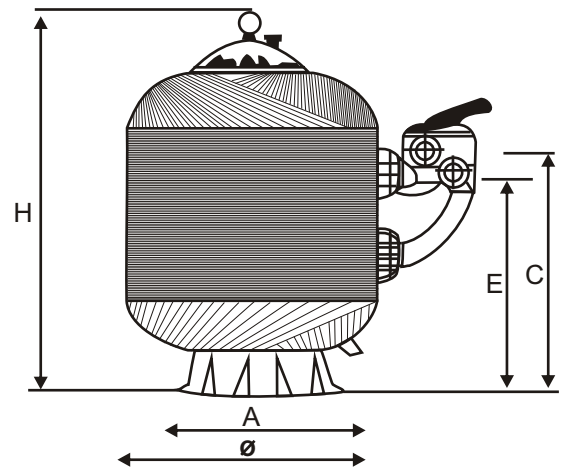
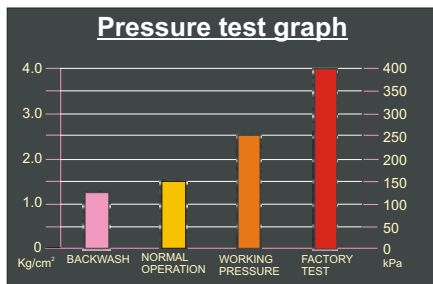
Ideally suited for residential type pools, fountains, spas and small aquariums/fish ponds.

The "**Parasol**" series have uniquely designed "Umbrella Fold" laterals that make installation and maintenance operations a lot easier.

Supplied with 6 way side mounted multiport valve

Multiport Valve Functions:

1. Filter : Normal filtration and vacuuming.
2. Backwash : Cleaning filter by reversing water flow.
3. Rinse : Used after backwash to flush dirt from valve and pipes.
4. Waste : Filter by-pass option to discharge dirt from vacuuming to waste or to lower water level.
5. Recirculate : Filter by-pass option to circulate water back to pool directly.
6. Close : Tops all flow to filter or pool.



TECHNICAL DATA FOR SIDE MOUNTED (THREAD) FILTER

Model	Diameter mm(Ø)	Connection inches	Flow m³/h	Surface Area m²	Sand Weight kg	Working Pressure kg/cm²	H mm	A mm	C mm	E mm
0050001	500	1½"	10	0.196	120	2.5	811	460	551	470
0050002	600	1½"	14	0.283	200	2.5	891	460	594	513
0050003	750	2"	22	0.442	310	2.5	1006	590	643	562
0050004	900	2"	28	0.636	535	2.5	1228	790	779	698
0050005	1000	2½"	33	0.785	800	2.5	1233	945	787	707
0050006	1200	2½"	45	1.131	1200	2.5	1433	1010	901	820

Flow rates are calculated at a velocity of 50m³/hr/m² for dia 400 mm to 900 mm and at 40m³/hr/m² for 1000mm and 1200 mm dia filters

- Use only 0.4 to 0.8mm silica sand
- Max. Water temperature 43° C (109°F)

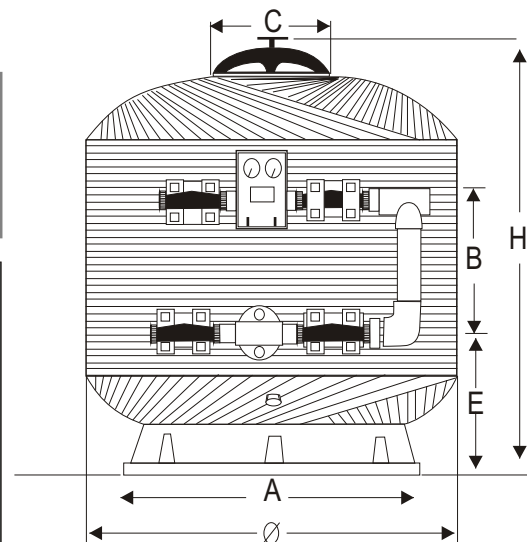
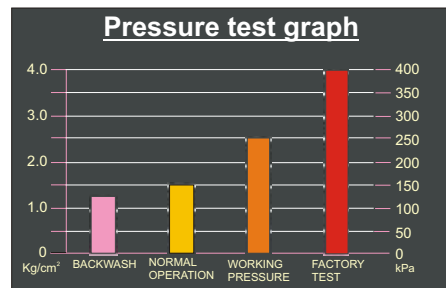
Proteam Commercial Filters



Proteam's commercial range of filters have been developed to meet the most demanding installations for the largest of projects Olympic and Semi-Olympic competition pools, hotels and large residential pools, as well as for other water features such as fish ponds, lakes, fountains, water gardens, water parks etc.

- ➡ The filters have flanged connection varying from 3" to 8" (depending on filter flow rate) for connection to a battery of 5 butterfly valves.
- ➡ The hub for the collector arms is made of SS for extra stability.
- ➡ For ozone applications, the filters can be lined with vinylester on customer request at extra cost.
- ➡ Filters with 4 and 6 bar working pressure can be manufactured on request.
- ➡ Can be supplied with nozzle plate distributors on request.

Option of nozzle plate distribution system available on request



TECHNICAL DATA FOR SIDE MOUNT (FLANGE) FILTER

Model	Diameter mm(Ø)	Connection mm	Flow m³/h	Surface Area m²	Sand Weight kg	Working Pressure kg/cm²	H mm	A mm	C mm	B mm	E mm
00500064	1200	D 90	33	1.01	750	2.5	1400	1010	500	340	550
00500067	1400	D 90	46	1.54	1600	2.5	1620	1150	500	340	665
005100200	1600	D110	60	2.01	2300	2.5	1760	1440	500	440	685
00500044	1200	D 90	33	1.01	1675	2.5	1800	1020	500	440	725
00500047	1400	D110	46	1.54	2375	2.5	1800	1230	500	440	735
005100173	1600	D110	60	2.01	3200	2.5	1900	1440	500	440	780
005100174	1800	D160	76	2.55	3900	2.5	1940	1570	500	440	810
005100186	2000	D160	94	3.14	4900	2.5	2000	1780	500	440	825
005100190	2350	D225	130	4.34	7900	2.5	2360	1760	500	600	1020
005100199	2500	D225	150	4.91	8200	2.5	2450	1760	500	600	980

Flow rates are calculated at a velocity of 30m³/hr/m².
By virtue of the enhanced connection sizes, it is possible to achieve greater flow at a specific velocity of 40 or 50m³/hr/m².
Max. Water temperature 43° C (109°F)

Sand granulometry 0.4 to 0.8 mm
Gravel granulometry 1 to 2 mm
(Sand approx. 80 to 85% gravel approx. 15-20%)

Proteam High Performance Commercial Filter Application



Proteam's high performance filter with additional media depth of 1.2m ensures better water clarity than a filter with lesser bed depth. This filter is ideally suited for water treatment for domestic and industrial purposes, aquariums and swimming pools or water bodies where water clarity is of utmost importance.

Sight glass and manhole enhances operational and maintenance functionality and can be added at extra cost on request.

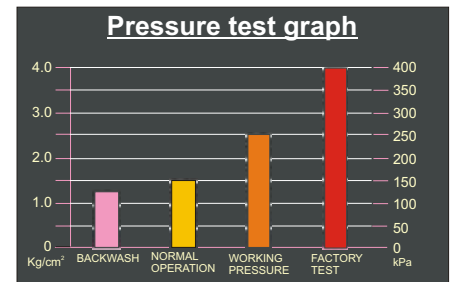
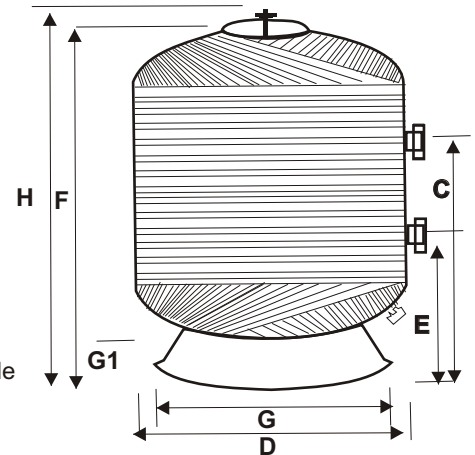
- ➡ The hub for the collector arms is made of stainless steel for extra stability.
- ➡ For ozone applications, the filters can be lined with vinylester at extra cost on customer request.
- ➡ Filters with 4 and 6 bar working pressure can be manufactured on request.



Top Man Hole



Option of nozzle plate distribution system available on request



TECHNICAL DATA FOR FIBREGLASS FILTER (Flange Type)

Model	Diameter mm(Ø)	Connection mm/inches	Flow m³/hr	Surface Area m²	Sand Weight kg	Working Pressure kg/cm²	H mm	C mm	E mm	F mm	G mm	G1 mm
00501205	1050	D 90 / 3"	26	0.86	1600	2.5	2070	1390	590	1940	950	240
00501206	1200	D 110 / 4"	34	1.13	2100	2.5	2080	1405	605	1950	1000	245
00501225	1400	D 140 / 5"	46	1.54	2800	2.5	2175	1490	690	2045	1160	265
00501207	1600	D 160 / 6"	60	2.01	3775	2.5	2310	1560	760	2180	1510	310
00501226	1800	D 160 / 6"	76	2.54	4650	2.5	2320	1600	800	2190	1580	300
00501208	2000	D 160 / 6"	94	3.14	5800	2.5	2420	1640	840	2290	1780	290
00501209	2350	D 225 / 8"	130	4.34	8200	2.5	2520	1785	985	2390	1940	335

Flow rates are calculated at a velocity of 30m³/hr/m². By virtue of the enhanced connection sizes, it is possible to achieve greater flow at a specific velocity of 40 or 50m³/hr/m². ■ Use only 0.4 to 0.8mm silica sand. ■ Max. Water temperature 43° C (109°F)

In association with



Jebel Ali Free Zone, P.O. Box 18400, Dubai, U.A.E. Tel: +971 4 886 0880,
Fax: +971 4 886 0881, E-mail: info@a-technologies.com