

The folding system makes the vacuum head flexible in the corners and intersections of the swimming pool walls. By its center brush and hydraulic design, the sediments can be cleaned without distributing them within the minimum time.

EFFICIENT

Folding wings and central vacuum makes the cleaning is more efficient and quick.

STRONGER

It has longer life against sun lights and stronger against force during operation.



FLEXIBLE

All corners and intersections can be cleaned by the folding wings.

HEAVIER

In addition to the central weight, Pina Power Sweeper has 4 more weight in the corners.

High performed Pina Power Sweeper is used for efficient cleaning without losing too much time.

CODE	PRODUCT	DESCRIPTION	KUTU DETAYLARI	WEIGHT NET/	GROSS/
DGA01	Pina Power Vacuum Head	D.63mm (D.50mm with adapter)	48x20x17cm - 0,017m ³	2,90kg	3,30kg

TECHNICAL SPEC.

Weight Lead
Screws AISI304
Springs AISI304
Dimensions 468x227mm
Net Weight 2,90kg

ASSEMBLING DETAILS

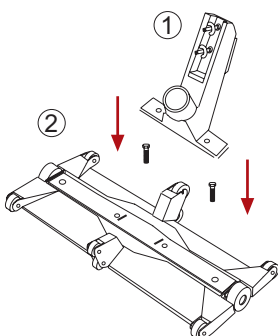
Pina Power Sweeper is packed as unmounted for
1- Center body and
2- Handle piece.

Please follow the instructions below to mount the sweeper.

(A) Fix the handle on the appropriate places in the center body.

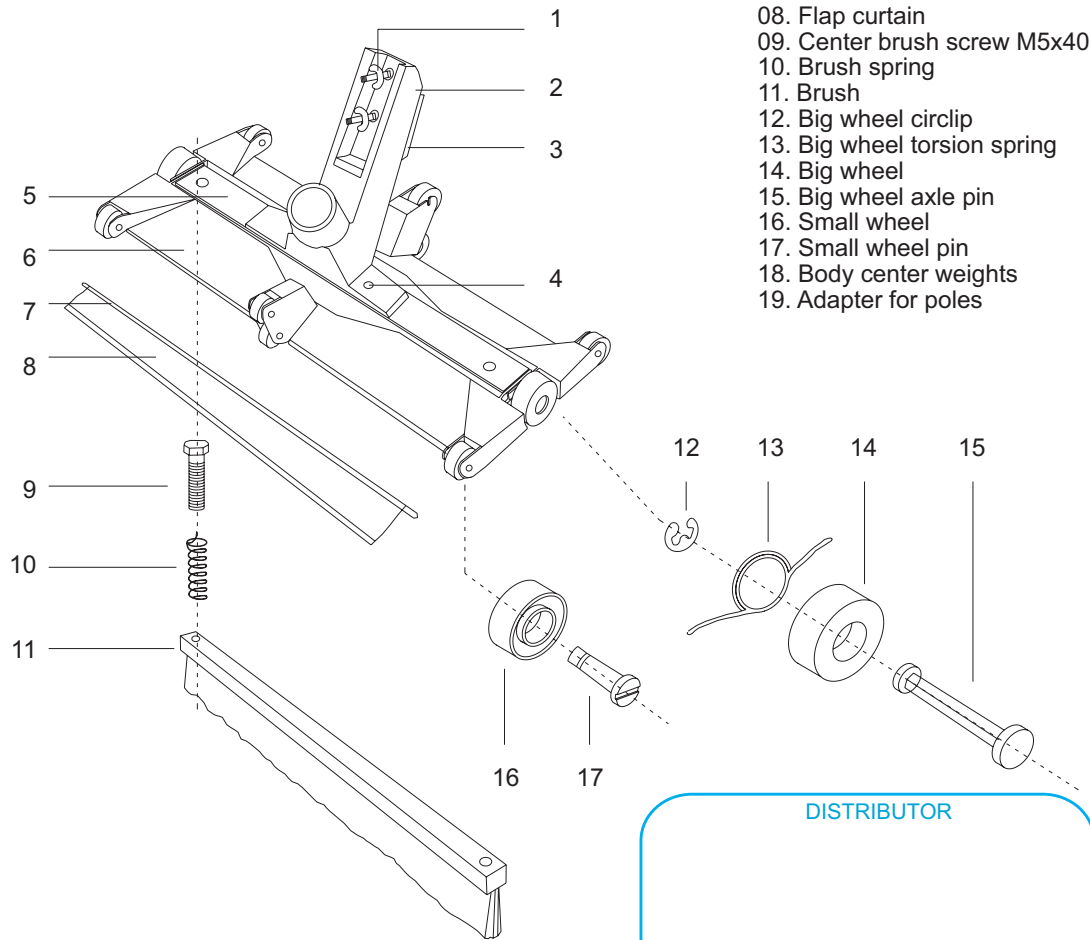
(B) Use the nuts to fix the screws of handle under the brush of body.

(C) Last, with a screwdriver, fix the screws on the handle to prepare the vacuum head for cleaning.



SPARE PARTS

- 01. Pole nut and screw (M6 x65)
- 02. Handle
- 03. Main lead weight
- 04. Handle screw
- 05. Center body
- 06. Flap(wings)
- 07. Brass curtain screw
- 08. Flap curtain
- 09. Center brush screw M5x40
- 10. Brush spring
- 11. Brush
- 12. Big wheel circlip
- 13. Big wheel torsion spring
- 14. Big wheel
- 15. Big wheel axle pin
- 16. Small wheel
- 17. Small wheel pin
- 18. Body center weights
- 19. Adapter for poles



DISTRIBUTOR